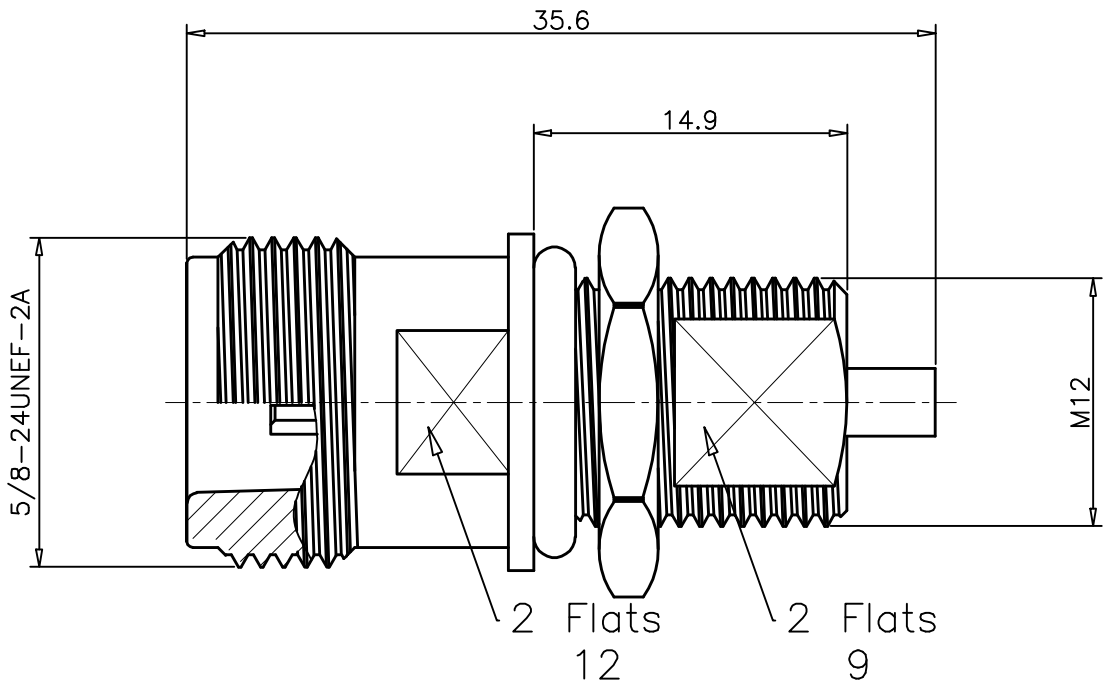


1	2	3	4
RevNo	Revision note	Date	Signature
00	Sketch Only	6/6/14	Teresa
			Checked
			Simon



Interface Per: MIL-C-39012, IEC 60169-16

Material & Finishing:

1. Center condutor: Phosphor Bronze, Gold Plating
2. Insulators: PTFE
3. Gasket: Silicone Rubber
4. Body & Other Material : Brass, Nickel Plating

RoHS Compliant.

ALL DIMENSIONS ARE IN MILLIMETERS AND [INCHES]

KERUI ELECTRONIC CO;LTD

Title

N female solder for .085 cable

THESE DRAWING & SPEC. ARE THE PROPERTY OF KERUI ELECTRONIC CO;LTD AND SHALL NOT BE REPRODUCED, OR COPIED OR USED AS THE BASIS FOR THE MANUFACTURE OR SALE OF APPARATUS OR DEVICES WITHOUT THEIR EXPRESS WRITTEN CONSENT.

UNLESS OTHERWISE NOTED ALL SURFACES FINISHED TO 64/MAX.  
 ALL TOLERANCES ARE:  
 DECIMALS FRACTIONS ANGLES  
 x ± 1.0 ±1/64 x' ± 1'  
 x.x ± 0.5 x'x' ± 0.5  
 x.xx ± 0.1

Drawn by  
Teresa

Ckd by  
Simon

Appd by  
Richard

Date  
6/6/2014

Scale  
4:1

Sheet 1 of 1

80 1121 329 01